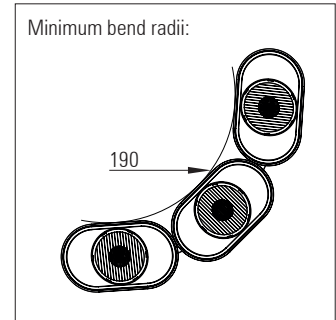
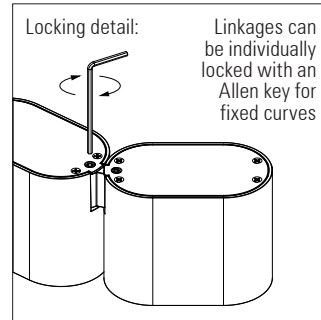
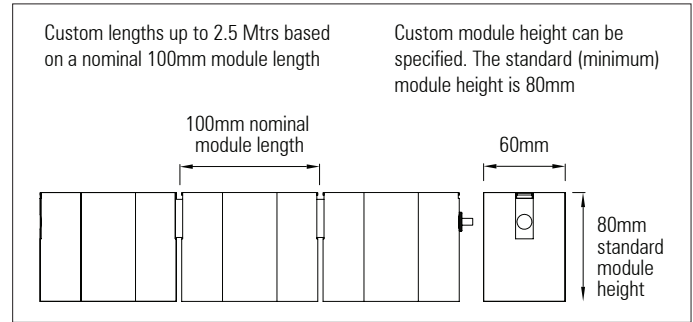
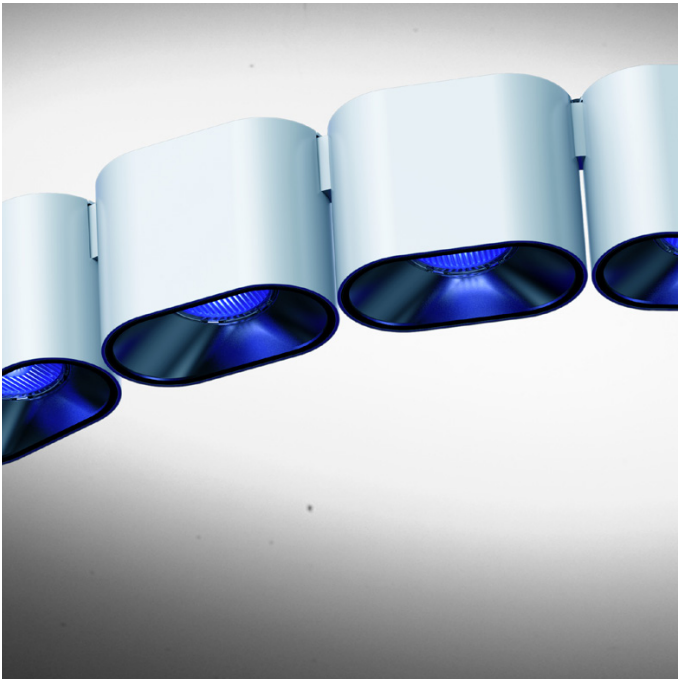


Centura 60 IP20

Flexible modular RGB LED pendant lighting system

Down light - 1 x RGB, RGBW, RGBA array with Gaggione lens per module



Centura 60 IP20 system - Flexible - Down light - 1 x RGB, RGBW, RGBA, or Tunable-White array with Gaggione lens per module

Modular flexible RGBW LED pendant lighting system IP20 - Down light

Product description:

Centura has an articulated linkage-joint system between modules allowing for flexibility along the major axis. This innovative modular design offers the flexibility to follow curved surfaces, encircle columns and domes, and to make irregular shaped pendants, all whilst offering excellent lighting control and uniformity. This versatility offers the ability for use in a wide range of application areas including architectural, hospitality, leisure and retail.

Down light - 1 x array of 4 x Luxeon Z or CZ LEDs, with a highly efficient colour-blending Gaggione lens per module - custom combinations of white and colour LEDs. Single white-light COB options are also available

Up to 5 Watts per 100mm module. Up to 48 V DC supply

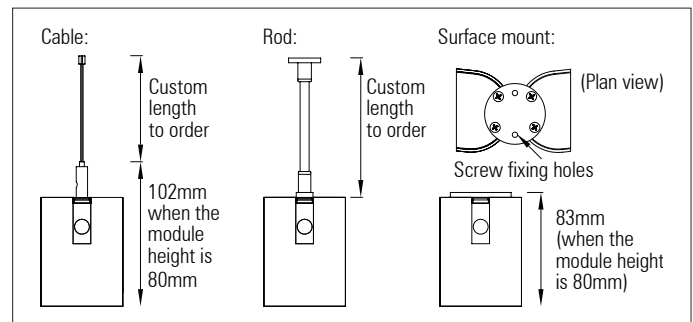
Integral LV constant current driver or remote Eldoled 4 Channel DMX driver

Remote DMX / DALI controller can be located up to 50 mtrs from the LED system

Satin black, satin white or any RAL paint colour finish

Rod, cable or surface mount options. Custom solutions are also available.

Custom lengths based on a 100mm module length up to 2.5 mtrs



Down light LED / lens matrix	LUXEON Z CLUSTER x4 RGBW LEDs
LLC59C Colour	11.7°
LLC59E Elliptical	8.2° + 31.3°
LLC59U Ultra Narrow	NA
LLC59N Narrow	7.6 °
LLC59M Medium	24.1°
LLC59W Wide	32.2°

Custom combinations of different colour temp. white-light LEDs & different colour-light LEDs can be specified

Up to 2,100 Lumens per mtr with RGBW light engine

Up to 5,500 lumens per mtr with WWWW light engine

Product Code	No. of LEDs per mtr.	IP	Length (mm)	LED Type	LED Colour / Colour Temp.(K)	CRI	Mounting Type	Finish
RAD CENTURA 60 FLEXIBLE DOWN IP20	1 x array of 4 x RGBW LEDs per 100mm module : 100mm pitch 1 x white-light COB : 100mm pitch	20	100mm to 2,500mm -available in increments of 100mm	LUMILED Luxeon cluster: 4x RGBW Z or CZ LEDs	Specify all 4x LEDs in cluster:	80 90	Steel Cable Fixed rod Surface mount	Body: Black, white or any anodized or powder coat finish
					Far Red, Red, Deep Red, Red-Orange, Amber, PC Amber, Mint, Lime, Green, Cyan, Blue, Royal Blue, Violet			